

## Centrifuges 5702/ 5702 R/ 5702 RH



### Description

The 5702 family of low speed, general purpose centrifuges was especially designed to meet the requirement of low- to mid-throughput clinical research and cell culture labs. They are compact in design so that one can fit comfortably on every lab bench, quiet in operation to benefit your work environment, and provide 6 different rotor options to accommodate any type of tube.

The right model for your application:

- > Centrifuge 5702 for standard applications
- > Refrigerated Centrifuge 5702 R for heat sensitive samples
- > Heated and refrigerated Centrifuge 5702 RH allows centrifugation under biological conditions to improve cell viability for more accurate results in downstream applications (e.g. cell cultivation)

### Product features

- > Max. speed: 3,000 x g (4,400 rpm)
- > Very compact footprint to fit on every lab bench
- > Very quiet operation to benefit your environment
- > Low access height for simple loading and unloading of samples
- > SOFT brake function for slow acceleration and braking  
Optimized for cell separation by gradient centrifugation
- > "At set RPM" function starts the timer when the selected rotational speed is reached for reproducible centrifugation runs
- > Key lock to prevent unintentional adjustments
- > Stainless steel rotor chamber is rust-free and easy to clean
- > Electronic imbalance detection for maximum safety

### Special features for Centrifuge 5702 R and Centrifuge 5702 RH

- > Temperature settings from -9 to 40 °C
- > FastTemp function for fast precooling
- > Standby cooling keeps the 5702 R at set temperature when lid is closed
- > ECO shut-off engages after 8 hours of non-use to reduce energy consumption and extend compressor life
- > Integrated condensation drain removes water accumulations and prevents corrosion
- > Two program keys to store routine procedures
- > Active heating guarantees high temperature accuracy during the entire centrifugation cycle (only 5702 RH)



Centrifuge 5702 display



Centrifuges 5702 R and 5702 RH display

Technical specifications			
Model	5702	5702 R	5702 RH
Max. RCF	3,000 x g	3,000 x g	3,000 x g
Speed	100 – 4,400 rpm (100 rpm steps)	100 – 4,400 rpm (100 rpm steps)	100 – 4,400 rpm (100 rpm steps)
Max. capacity	4 x 100 mL	4 x 100 mL	4 x 100 mL
Rotors available	6	6	6
Acceleration time	25 s	25 s	25 s
Deceleration time	25 s	25 s	25 s
Timer	0 – 99 min, with continuous run function	0 – 99 min, with continuous run function	0 – 99 min, with continuous run function
SOFT brake function	yes	yes	yes
Noise level	< 51 dB(A) with Rotor A-4-38	< 45 dB(A) with Rotor A-4-38	< 45 dB(A) with Rotor A-4-38
Max. power consumption	200 W	380 W	380 W
Dimensions (W x D x H)	32 x 40 x 24 cm	38 x 58 x 26 cm	38 x 58 x 26 cm
Height (with open lid)	53 cm	60 cm	60 cm
Weight w/o accessories	20 kg	36 kg	36 kg
Cooling		refrigerated	refrigerated/heated
Temperature range	–	-9 °C to 40 °C	-9 °C to 42 °C

#### Ordering information

Description	Order no.
Centrifuge 5702, without rotor, 230 V/50 – 60 Hz	5702 000.019
Centrifuge 5702, with Rotor A-4-38 incl. adapters for 15/50 mL conical tubes, 230 V/50 – 60 Hz	5702 000.329
Centrifuge 5702 R, refrigerated, without rotor, 230 V/50 – 60 Hz	5703 000.012
Centrifuge 5702 R, refrigerated, with Rotor A-4-38 incl. adapters for 15/50 mL conical tubes, 230 V/50 – 60 Hz	5703 000.420
Centrifuge 5702 R, refrigerated, with Rotor A-4-38 incl. adapters for 13/16 mm blood collection tubes, 230 V/50 – 60 Hz	5703 000.322
Centrifuge 5702 RH, refrigerated/heated, without rotor, 230 V/50 – 60 Hz	5704 000.016




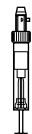






⚡ Ordering information for other voltage options begins on page 484

## Rotor A-4-38 with Round Buckets



### Rotor A-4-38 with Round Buckets







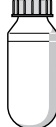
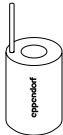
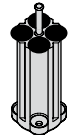
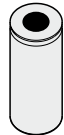
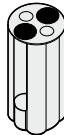
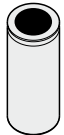
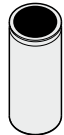
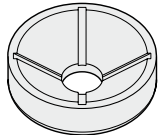
- > Maximum speed: 3,000 × g (4,400 rpm)
- > Standard rotor for centrifugation of blood collection tubes or 15/50 mL conical tubes
- > Round buckets for vessels with 1.5 – 100 mL
- > Wide variety of adapters for all blood collection tubes and cell culture tube types
- > Aerosol-tight caps for safe centrifugation of hazardous samples optionally available

					
<b>Tube volume</b>	1.5 – 2.0 mL	1.1 – 1.4 mL	2 – 7 mL	2.6 – 7 mL	4 – 10 mL
<b>Max. tube diameter</b>	11 mm	8.5 mm	12.5 mm	13.5 mm	16 mm
<b>Max. vessel height</b>	43 mm	100 mm	100 mm	100 mm	100 mm
<b>Max. vessel height for use with cap/lid<sup>1)</sup></b>	43 mm	100 mm	100 mm	100 mm	100 mm
<b>Adapter</b>					
<b>Number of vessels per adapter/rotor</b>	4/16	5/20	5/20	4/16	4/16
<b>Bottom shape</b>	round	flat	flat	flat	flat
<b>Centrifugation radius</b>	134 mm	132 mm	132 mm	132 mm	132 mm
<b>Max. RCF</b>	2,900 × g	2,850 × g	2,850 × g	2,850 × g	2,850 × g
<b>Packing</b>	set of 2 pcs.	set of 2 pcs.	set of 2 pcs.	set of 2 pcs.	set of 2 pcs.
<b>Order no.</b>	5702 745.006	5702 736.007	5702 737.003	5702 719.005	5702 735.000

<sup>1)</sup> Exceeding the maximum tube length may reduce the loading capacity of the rotor. Please perform a manual swing-out test before starting the centrifuge run to make sure the tubes do not hit the rotor yoke.

**Ordering information**

Description	Order no.
<b>Rotor A-4-38</b>	
incl. 4 round buckets 100 mL	5702 720.003
<b>Round bucket 100 mL</b> , for Rotor A-4-38, set of 4	5702 722.006
<b>Aerosol-tight caps for 100 mL round buckets</b> , set of 2	5702 721.000

						
Eppendorf Tubes® 5.0 mL	9 – 15 mL	15 mL conical	15 mL conical	25 mL	50 mL conical	100 mL
17 mm	17.5 mm	17.2 mm	17.2 mm	25 mm	30 mm	38 mm
60 mm	100 mm	121 mm	121 mm	100 mm	115 mm	106 mm
60 mm	100 mm	120 mm		100 mm	115 mm	106 mm
						
1/4	4/16	1/4	2/8	1/4	1/4	1/4
flat	round	conical	conical	round	conical	round
136 mm	130 mm	137 mm	137 mm	135 mm	135 mm	135 mm
2,943 x g	2,800 x g	3,000 x g	3,000 x g	2,900 x g	2,900 x g	2,900 x g
set of 2 pcs.	set of 2 pcs.	set of 2 pcs.	set of 2 pcs.	set of 2 pcs.	set of 2 pcs.	set of 2 pcs.
5702 733.008	5702 724.009	5702 732.001	5702 723.002	5702 717.002	5702 734.004	5702 718.009




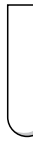


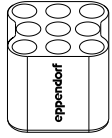



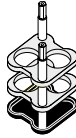

i For more information go to [www.eppendorf.com/centrifugation](http://www.eppendorf.com/centrifugation)

## Rotor A-4-38 with Rectangular Buckets



### Rotor A-4-38 with Rectangular Buckets

- > Maximum speed: 2,750 × g (4,400 rpm)
- > Rectangular buckets for vessels with 5 – 25 mL

						
<b>Tube volume</b>	round-bottom tubes	5 – 7 mL	9 mL	15 mL	25 mL	20 mL
<b>Max. tube diameter</b>	12 mm	13 mm	14.5 mm	17.5 mm	25 mm	22 mm
<b>Max. vessel height</b>	100 mm	100 mm	100 mm	100 mm	100 mm	100 mm
<b>Adapter</b>						
<b>Number of vessels per adapter/rotor</b>	9/36	10/40	8/32	6/24	2/8	4/16
<b>Bottom shape</b>	round	flat	flat	flat	flat	flat
<b>Centrifugation radius</b>	119 mm	127 mm	127 mm	127 mm	127 mm	127 mm
<b>Max. RCF</b>	2,577 × g	2,750 × g	2,750 × g	2,750 × g	2,750 × g	2,750 × g
<b>Packing</b>	set of 2 pcs.	set of 2 pcs.	set of 2 pcs.	set of 2 pcs.	set of 2 pcs.	set of 2 pcs.
<b>Order no.</b>	5702 763.004	5702 710.008	5702 711.004	5702 712.000	5702 716.006	5702 713.007

i For more information go to [www.eppendorf.com/centrifugation](http://www.eppendorf.com/centrifugation)



**Ordering information**

Description	Order no.
<b>Rotor A-4-38</b> , without buckets	5702 740.004
<b>Rectangular bucket 90 mL</b> , for Rotor A-4-38, set of 4	5702 709.000

i For more information go to [www.eppendorf.com/centrifugation](http://www.eppendorf.com/centrifugation)

## Rotors 5702/ 5702 R/ 5702 RH



### Rotor A-8-17

- > Maximum speed:  $2,800 \times g$  (4,400 rpm)
- > Low capacity rotor for centrifugation of 15 mL conical tubes or 15 mL glass tubes
- > Adapters for 15 mL conical tubes and rubber mat inserts for glass tubes optionally available



### Rotor F-45-24-11

- > Maximum speed:  $1,770 \times g$  (4,400 rpm)
- > Fixed-angle rotor for 24  $\times$  1.5/2.0 mL tubes
- > Quiet centrifugation even without rotor lid
- > Adapters optionally available for:
  - 0.2 mL PCR tubes (5425 715.005)
  - 0.4 mL centrifuge tubes (5425 717.008)
  - 0.5 mL micro test tubes and Microtainer® tubes (5425 716.001)
- > Rotor and adapters are autoclavable (121 °C, 20 min)



### Rotor F-35-30-17

- > Maximum speed:  $2,750 \times g$  (4,400 rpm)
- > High capacity rotor for 20  $\times$  15 mL conical tubes or 30  $\times$  15 mL glass tubes
- > Inserts for 15 mL conical tubes and rubber mats for use with glass tubes are included



### Rotor F-45-18-17-Cryo

- > Maximum speed: 1,840 × g (4,400 rpm)
- > Quiet centrifugation even without rotor lid
- > Centrifugation of 1 – 2 mL Cryo tubes® (max. 13 mm Ø, use with adapter) and tubes with screw cap (max. 17 mm Ø, no adapter required)
- > Rotor and adapters are autoclavable (121 °C, 20 min)

#### Ordering information

Description	Order no.
<b>Rotor A-4-38</b>	
incl. 4 round buckets 100 mL	5702 720.003
<b>Rotor A-4-38</b> , without buckets	5702 740.004
<b>Rotor A-8-17</b> , 8 x 15 mL, without adapter, without rubber mats	5702 700.002
<b>Rotor F-35-30-17</b>	
incl. 30 steel sleeves for 15 mL vessels, with 20 adapters for conical tubes and 30 rubber mats for round-bottom tubes	5702 704.008
incl. 10 steel sleeves for 15 mL vessels, with 10 adapters for conical tubes and 10 rubber mats for round-bottom tubes	5702 705.004
<b>Rotor F-45-24-11</b> , without lid	5702 746.002
<b>Rotor F-45-18-17-Cryo</b> , without rotor lid, without adapters	5702 747.009
<b>Adapter</b> , for 1 cryo containers (max. Ø 13 mm) or lidded centrifugation tubes (Ø 12.2 mm), max. length 50 mm, for Rotor F-45-18-17-Cryo, set of 6 pcs.	5702 752.002
<b>Adapter</b> , for 1 HPLC vessel 1.5 mL, for Rotor F-45-18-17-Cryo	5427 708.006

i For more information go to [www.eppendorf.com/centrifugation](http://www.eppendorf.com/centrifugation)